

**GB**

## **Technical instructions**

**Trough auger**

102 mm and 152 mm

---

**DE**

## **Technische anleitung**

**Trogsschnecke**

102 mm und 152 mm

---

**DK**

## **Teknisk vejledning**

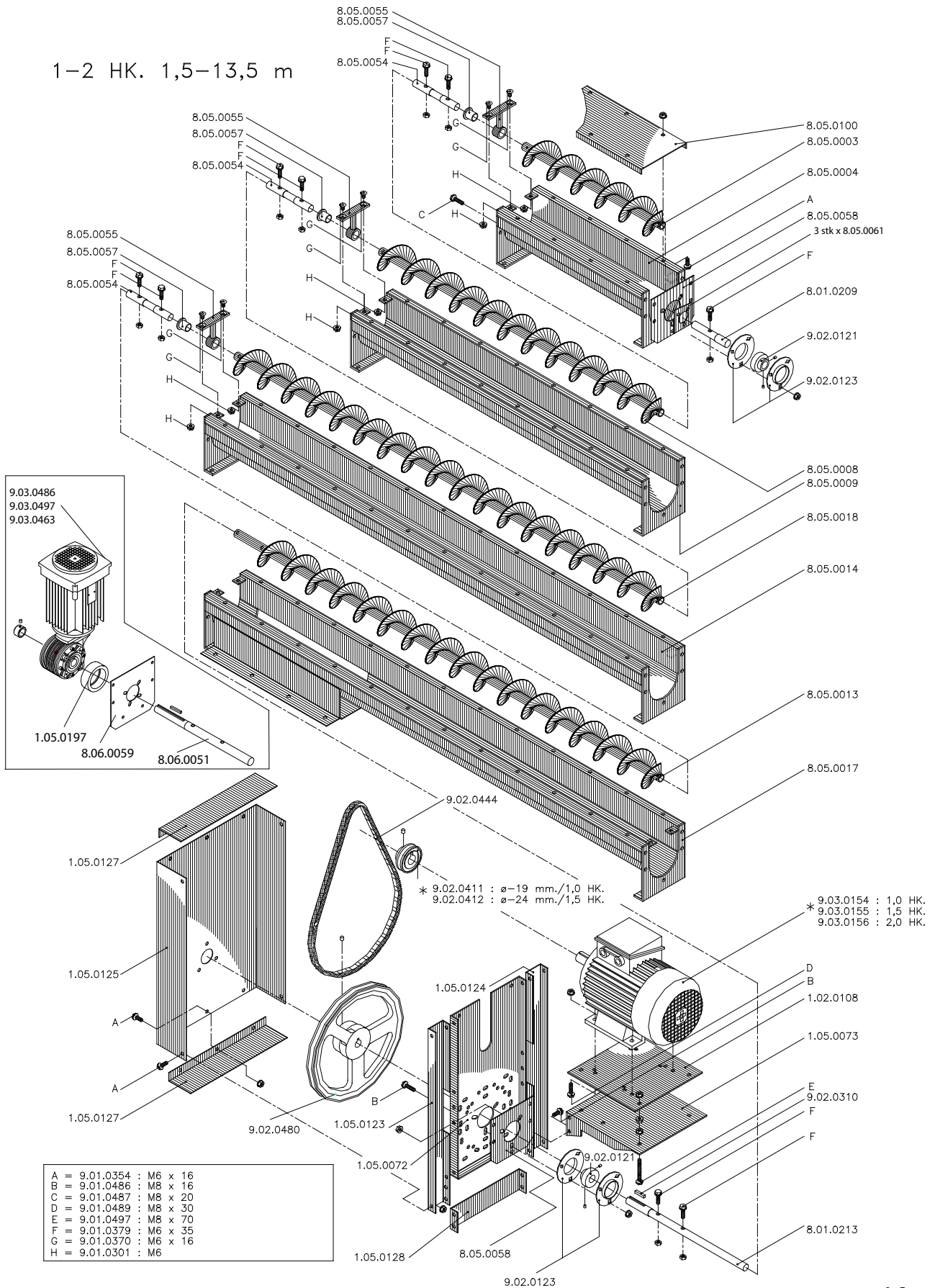
**Sneglerende**

102 mm og 152 mm

---

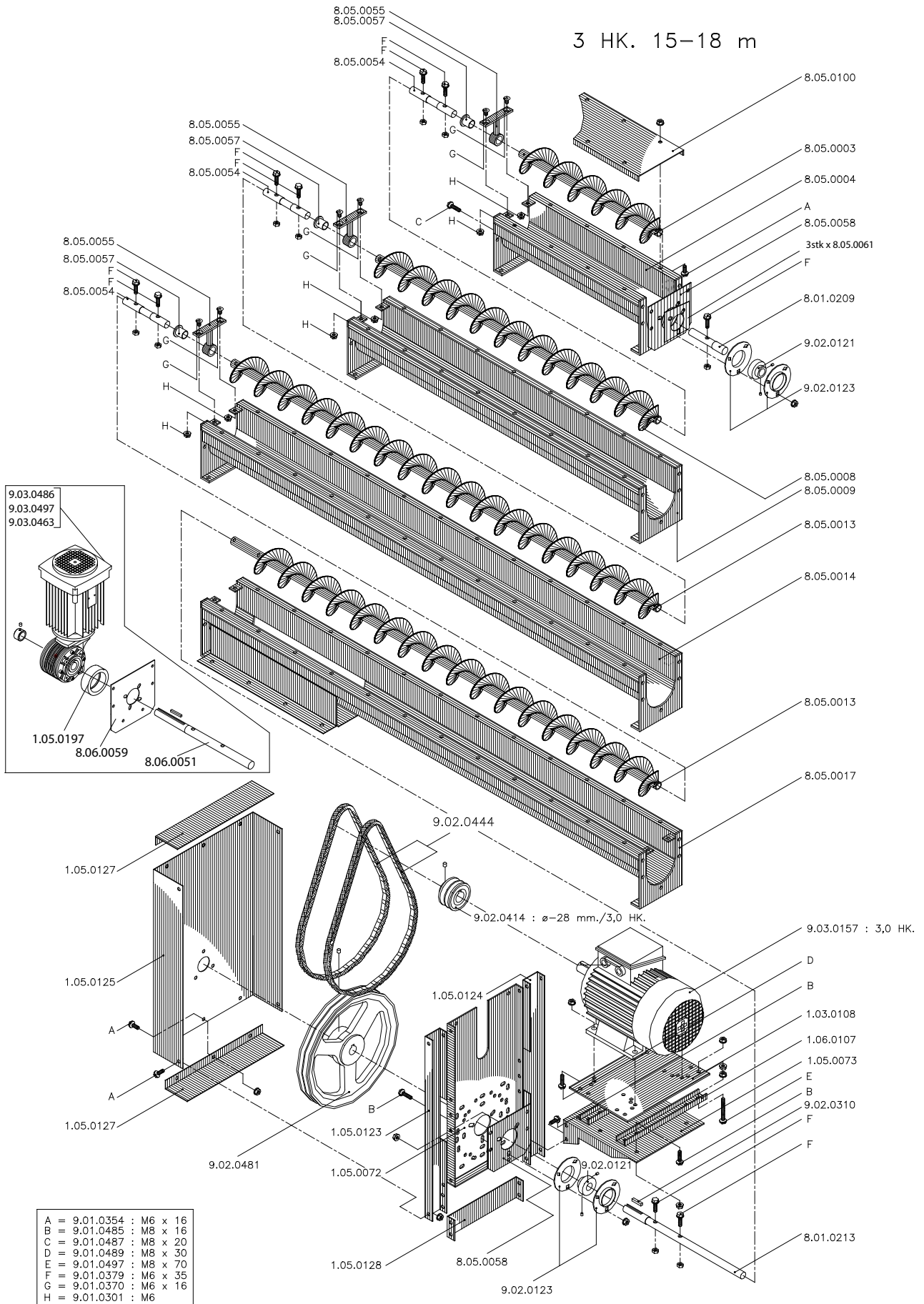
# 102 mm

1-2 HK. 1,5-13,5 m



# 102 mm

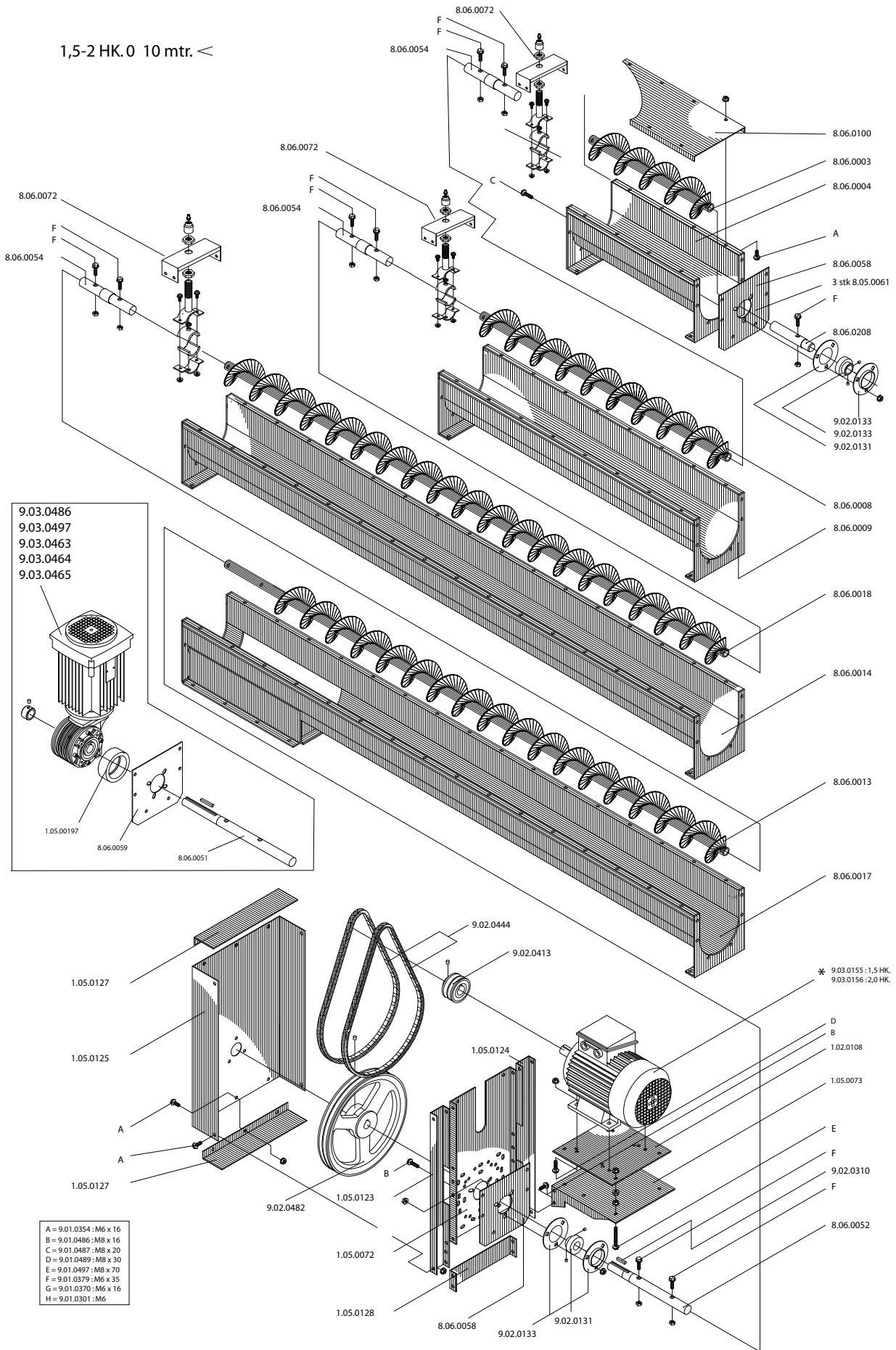
## 3 HK. 15-18 m



A	=	9.01.0354	:	M6 x 16
B	=	9.01.0485	:	M8 x 16
C	=	9.01.0487	:	M8 x 20
D	=	9.01.0489	:	M8 x 30
E	=	9.01.0497	:	M8 x 70
F	=	9.01.0379	:	M6 x 35
G	=	9.01.0370	:	M6 x 16
H	=	9.01.0301	:	M6

# 152 mm

1,5-2 HK.0 10 mtr. <



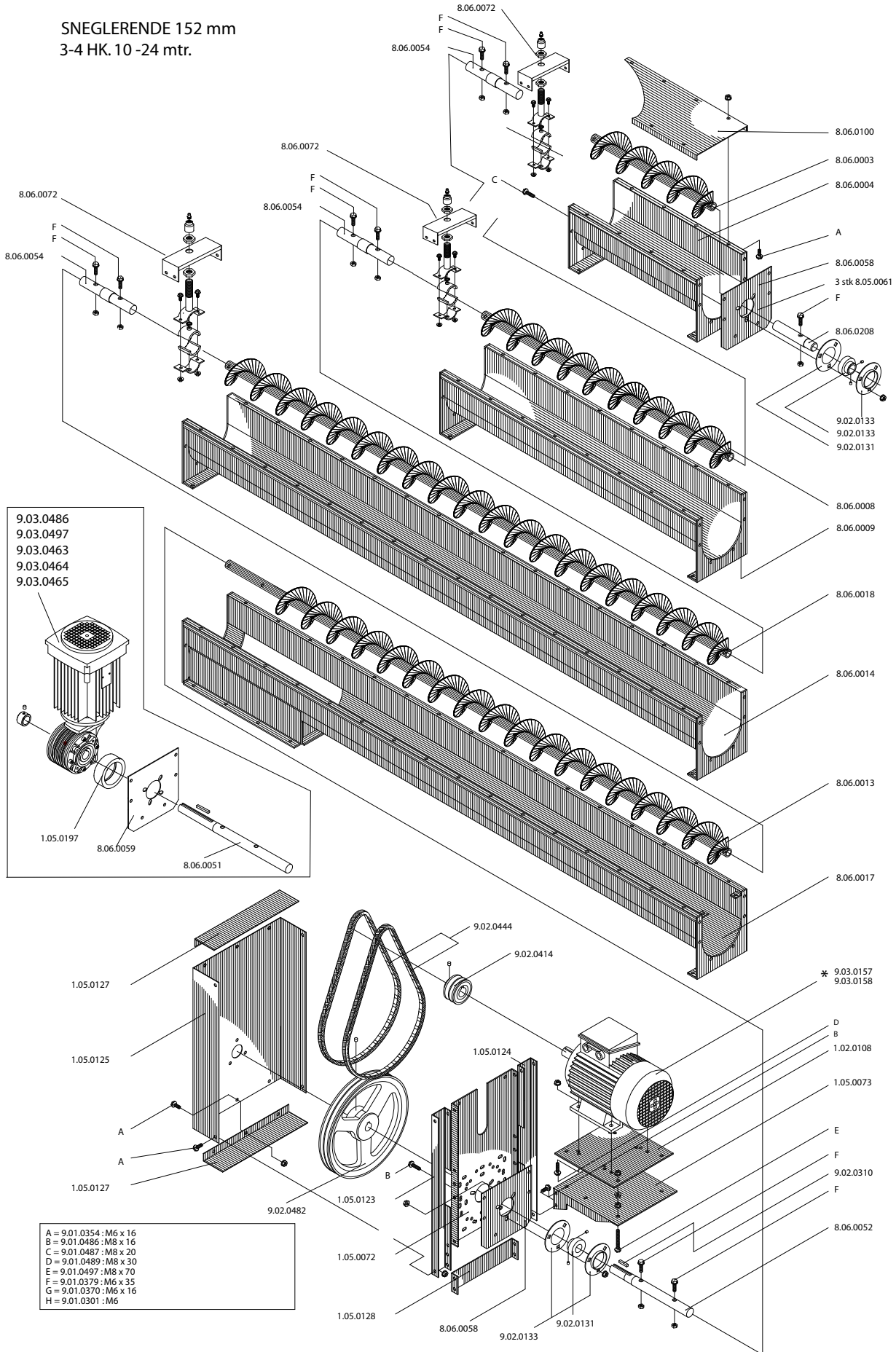
- 9.03.0486
- 9.03.0497
- 9.03.0463
- 9.03.0464
- 9.03.0465

- A = 9.01.0254 : M6 x 16
- B = 9.01.0486 : M8 x 16
- C = 9.01.0487 : M8 x 20
- D = 9.01.0489 : M8 x 30
- E = 9.01.0497 : M8 x 70
- F = 9.01.0379 : M6 x 35
- G = 9.01.0370 : M6 x 16
- H = 9.01.0301 : M6

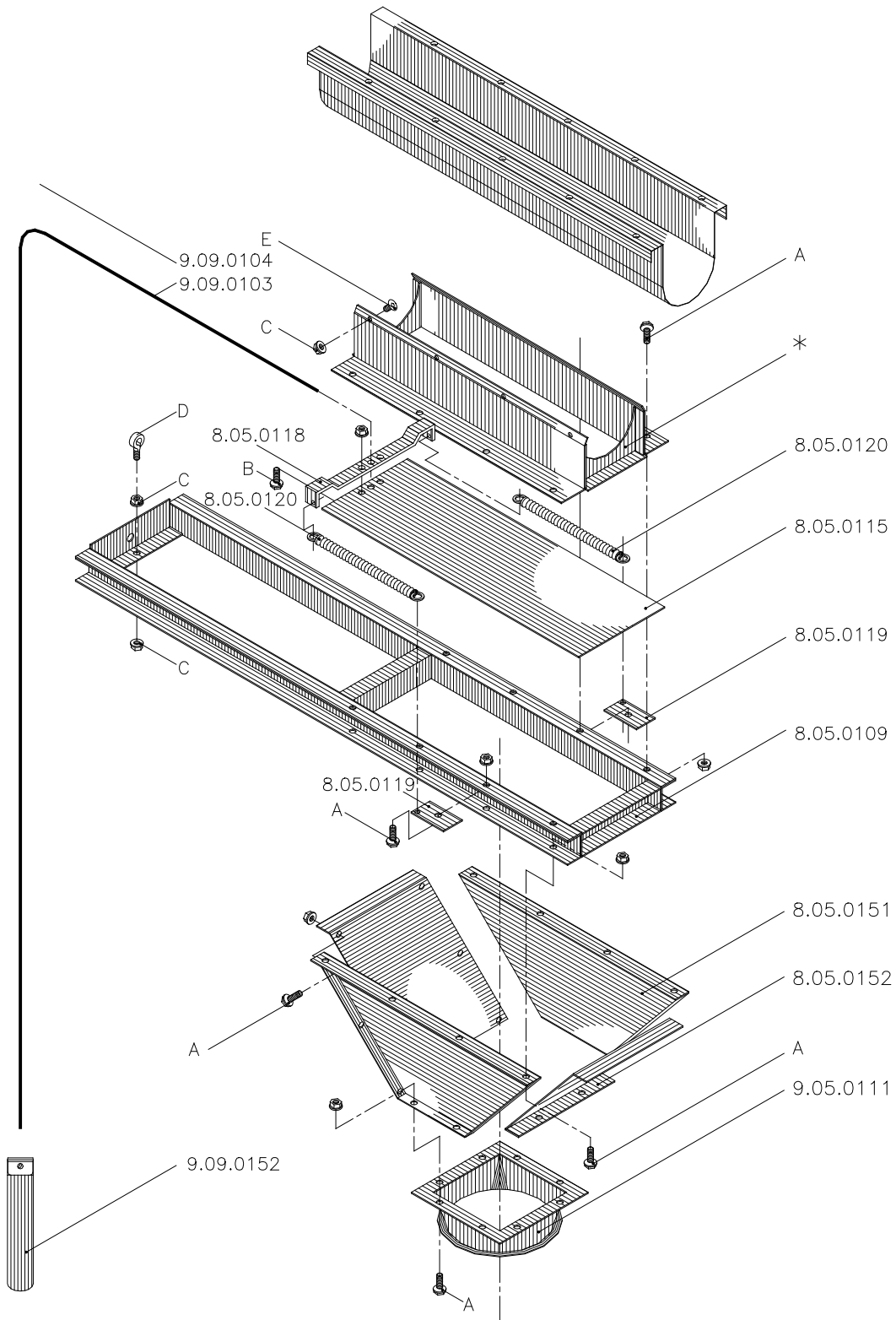
\* 9.03.0155 : 1.5 HK.  
9.03.0156 : 2.0 HK.

# 152 mm

SNEGLERENDE 152 mm  
3-4 HK. 10 -24 mtr.

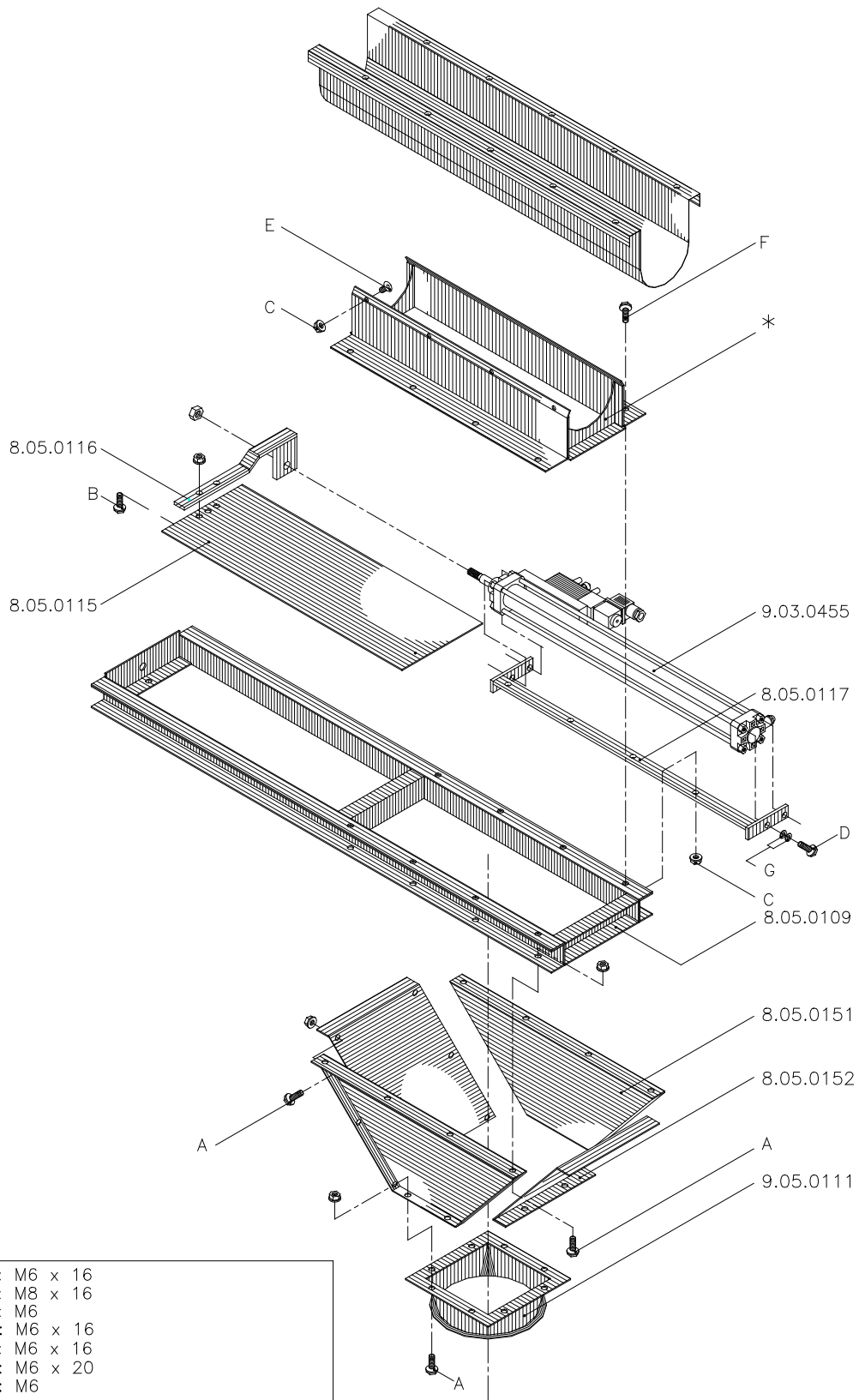


# 102 mm / 152 mm



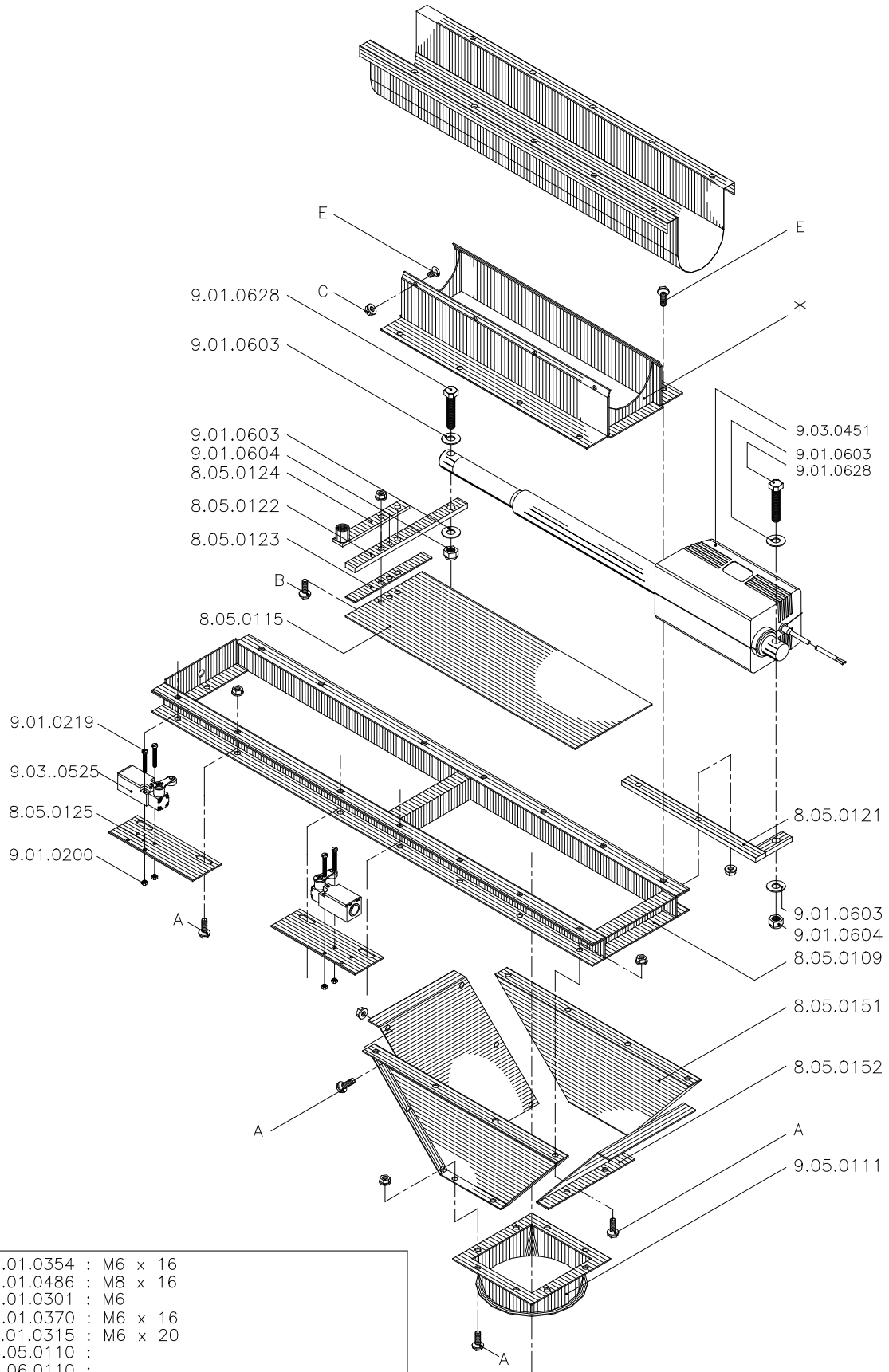
- |   |   |           |   |    |   |    |
|---|---|-----------|---|----|---|----|
| A | = | 9.01.0354 | : | M6 | x | 16 |
| B | = | 9.01.0486 | : | M8 | x | 16 |
| C | = | 9.01.0301 | : | M6 |   |    |
| D | = | 9.01.0391 | : | M6 | x | 15 |
| E | = | 9.01.0370 | : | M6 | x | 16 |
| * | = | 8.05.0110 | : |    |   |    |
|   |   | 8.06.0110 | : |    |   |    |

# 102 mm / 152 mm



A	=	9.01.0354	:	M6	x	16
B	=	9.01.0486	:	M8	x	16
C	=	9.01.0301	:	M6		
D	=	9.01.0313	:	M6	x	16
E	=	9.01.0370	:	M6	x	16
F	=	9.01.0315	:	M6	x	20
G	=	9.01.0306	:	M6		
*	=	8.05.0110				
		8.06.0110				

# 102 mm / 152 mm



- |   |   |           |   |    |   |    |
|---|---|-----------|---|----|---|----|
| A | = | 9.01.0354 | : | M6 | x | 16 |
| B | = | 9.01.0486 | : | M8 | x | 16 |
| C | = | 9.01.0301 | : | M6 |   |    |
| D | = | 9.01.0370 | : | M6 | x | 16 |
| E | = | 9.01.0315 | : | M6 | x | 20 |
| * | = | 8.05.0110 | : |    |   |    |
|   |   | 8.06.0110 | : |    |   |    |